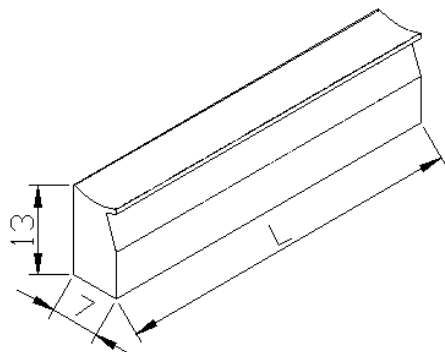


# Tools & Spares

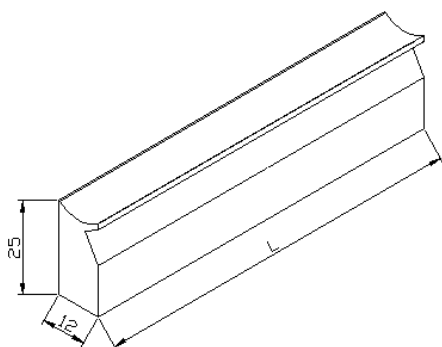


CLAMPING ELEMENTS FOR  
INDEXABLE INSERTS

## STANDARD WEDGES



L (mm)	WIDTH	HEIGHT	Ref.
7.5	7	13	SW71375
9.5	7	13	SW71395
12	7	13	SW71312
15	7	13	SW71315
20	7	13	SW71320
25	7	13	SW71325
30	7	13	SW71330
40	7	13	SW71340
50	7	13	SW71350
60	7	13	SW71360
80	7	13	SW71380
100	7	13	SW713100
120	7	13	SW713120

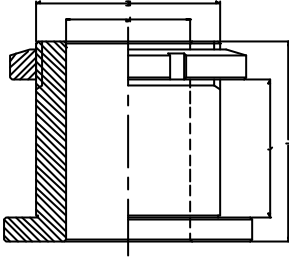
CLAMPING ELEMENTS FOR  
SERRATED & PLANER KNIVES

L (mm)	WIDTH	HEIGHT	Ref.
40	12	25	LW401225
60	12	25	LW601225
80	12	25	LW801225
100	12	25	LW1001225
130	12	25	LW1301225
150	12	25	LW1501225
180	12	25	LW1801225
230	12	25	LW2301225



WADKIN TYPE SLEEVE  
WITH NUT

SLEEVE



D	d	L	l	REF.
60	50	100	130	WS6050A
60	40	100	130	WS6040A
60	35	100	130	WS6035A
60	31.75	100	130	WS6032A
60	30	100	130	WS6030A
50	40	100	130	WS5040A
50	35	100	130	WS5035A
50	31.75	100	130	WS5032A
50	30	100	130	WS5030A

Sleeves with locking nuts.  
Other sizes available on request.

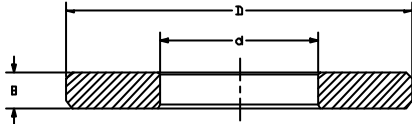


**SPACERS FOR SPINDLE  
MOULDERS**

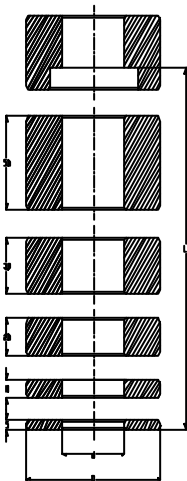
*SPACERS AND SPACER SETS*

**SET L=200 COMPRISES: - 2X5,2X10,3X20,2X30,1X50**

**SET L=245 COMPRISES: - 3X5,2X10,1X20,3X30,2X50**



**COMPLETE SET OF SPACERS  
FOR SPINDLE MOULDERS**



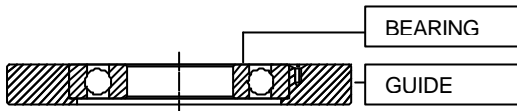
D	d	B	Ref.
50	30	1	SP60301A
50	30	3	SP60303A
50	30	4	SP60304A
50	30	5	SP60305A
50	30	6	SP60306A
50	30	7	SP60307A
50	30	8	SP60308A
50	30	10	SP603010A
50	30	11	SP603011A
50	30	12	SP603012A
50	30	15	SP603015A
50	30	17.5	SP603017A
50	30	20	SP603020A
50	30	25	SP603025A
50	30	30	SP603030A
50	30	40	SP603040A
50	30	50	SP603050A
50	31.75	1	SP60321B
50	31.75	3	SP60323B
50	31.75	4	SP60324B
50	31.75	5	SP60325B
50	31.75	6	SP60326B
50	31.75	7	SP60327B
50	31.75	8	SP60328B
50	31.75	10	SP603210B
50	31.75	11	SP603211B
50	31.75	12	SP603212B
50	31.75	15	SP603215B
50	31.75	17.5	SP603217B
50	31.75	20	SP603220B
50	31.75	25	SP603225B
50	31.75	30	SP603230B
50	31.75	40	SP603240B
50	31.75	50	SP603250B
50	30	SET	SP6030SETA
50	31.75	SET	SP6032SETB



**BALL BEARING GUIDE FOR  
SPINDLE MOULDERS**

*BEARING GUIDE*

10-004

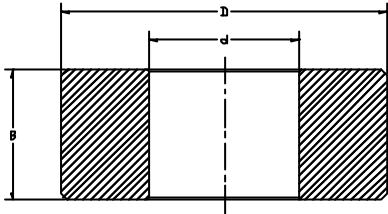


D	d	B	Ref.
125	55	18	<b>BG12530</b>
110	55	18	<b>BG11030</b>
100	55	18	<b>BG10030</b>
90	55	18	<b>BG9030</b>
80	55	18	<b>BG8030</b>
125	69.85	20	<b>BG12532</b>
110	69.85	20	<b>BG11032</b>
100	69.85	20	<b>BG10032</b>
90	69.85	20	<b>BG9032</b>
80	69.85	20	<b>BG8032</b>

Other sizes available on request.



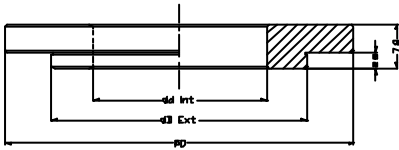
**REDUCING SLEEVE FOR CUTTER BLOCKS**



*Sleeves and Bushes*

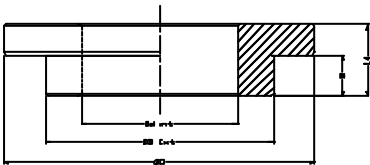
d	B	D	Ref.
30	10-30	31.75	SL3230
30	10-30	35	SL3530
30	10-60	40	SL4030
30	10-60	50	SL5030
31.75	10-30	35	SL3532
31.75	10-30	40	SL4032
31.75	10-60	50	SL5032
35	10-30	40	SL4035
35	10-60	50	SL5035
40	10-60	50	SL5040

**TOP HAT BUSH FOR CUTTER BLOCKS**

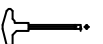


d	D EXT	D	Ref.
30	35	49	TH3530A
30	40	54	TH4030A
30	50	64	TH5030A
31.75	35	49	TH3532A
31.75	40	54	TH4032A
31.75	50	64	TH5032A
35	40	54	TH4035A
35	50	64	TH5035A
40	50	64	TH5040A

**TOP HAT BUSH FOR CUTTER BLOCKS**



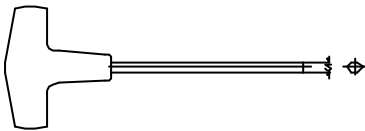
30	35	49	TH3530B
30	40	54	TH4030B
30	50	64	TH5030B
31.75	35	49	TH3532B
31.75	40	54	TH4032B
31.75	50	64	TH5032B
35	40	54	TH4035B
35	50	64	TH5035B
40	50	64	TH5040B



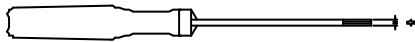
KEYS AND SPANNERS



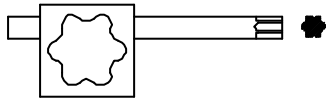
S	Ref.
1.5	ALLEN15
2	ALLEN2
2.5	ALLEN25
3	ALLEN3
4	ALLEN4
5	ALLEN5
6	ALLEN6



3	TBAR3
4	TBAR4
5	TBAR5
6	TBAR6



T9	TORX9
T15	TORX15



T9	FLAG9
T15	FLAG15
T20	FLAG20



40/42	CS4042
80/90	CS8090
58/62	CS5862



M50X1.5	SPA50M
M60X2	SPA60M



GREASE GUN FOR HYDRO  
SLEEVES AND CUTTERHEADS

	Ref.
Grease gun for hydro heads	GR1000



Replacement cartridge	GR1002
-----------------------	--------

